

K200 Series 2 3/8" Frame Depth Double Hung/Single Hung

K200 SERIES DOUBLE HUNG/SINGLE HUNG

FEATURES

- ◇ Commercial Framing System
 - 2 3/8" main frame
 - 0.062" wall thickness of frame and sash
- ◇ Thermally Enhanced Design
 - Azon pour and debridge thermal break is 1/2" wide in all main frame and vent rail extrusions
 - Full width lift handles
- ◇ Glazing
 - 3/4" insulated glass
- ◇ Hardware
 - Block and tackle balancers
 - Sweep locks
- ◇ Screen
 - Extruded aluminum screen frame with BetterVue™ mesh with WaterShed® technology

BENEFITS

- ◇ The capacity to match exterior colors for unique project facades
- ◇ The ability to facilitate large sizes for taller and wider window openings

PERFORMANCE

- ◇ Structural & Thermal (test reports or thermal simulations available upon request)

Model	Double Hung/Single Hung
NAFS Rating	C50
Structural Load P.S.F.	75.0
Air Infiltration	<0.30
Water (No Penetration) P.S.F.	7.52
U-Value (ranges based on multiple Low-E/Argon combinations)	0.38 - 0.49
SHGC (ranges based on multiple Low-E/Argon combinations)	0.14 - 0.50

Window test size: 56" x 91"

Operating Force: 22 lbf

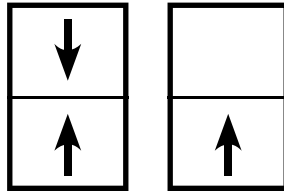
OPTIONS

- ◇ Available Configurations
 - Double hung
 - Single hung
 - Oriel single hung
- ◇ Muntin Choices
 - Internal or simulated divided lites available
- ◇ Limited Travel Latch
- ◇ Nailing Fin
- ◇ Screen
 - Extruded aluminum screen frame with aluminum wire mesh
 - Extruded aluminum screen frame with sunscreen mesh
 - Extruded aluminum screen frame with stainless steel 0.009" thickness mesh
 - Security screen
- ◇ Glazing
 - Multiple Low-E and argon glazing choices
 - Capillary tubes
 - Wide variety of glazing, tinting and thickness options
- ◇ Panning & Trim Choices
 - Wide variety of panning, receptor and trim available
- ◇ Mulling
 - Wide variety of structural mulls
- ◇ Specialty
 - Attached exterior or interior storm window
 - Extension jambs



Our products are tested to the standards of and certified by some of the foremost organizations in the fenestration industry.

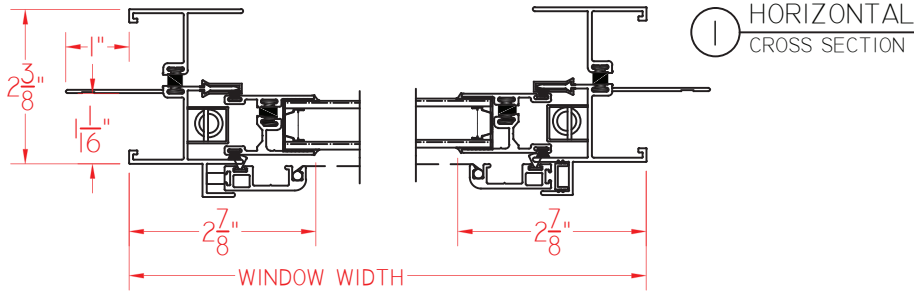




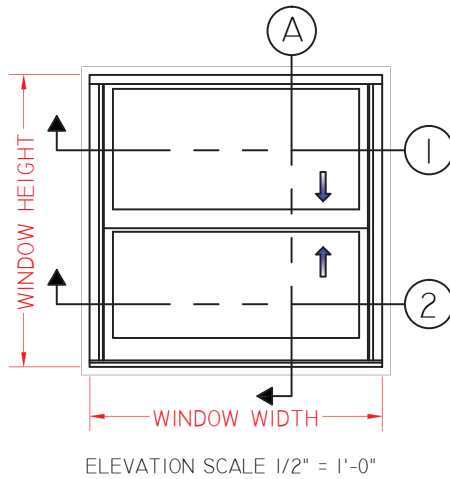
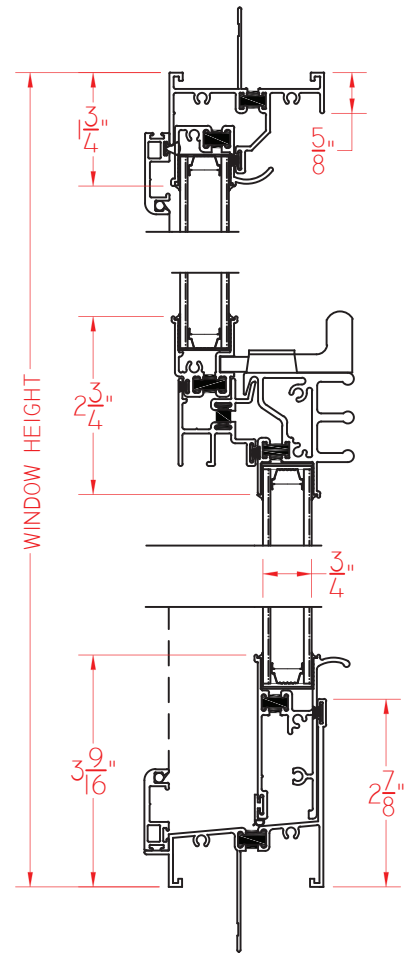
K200 Series
2 3/8" Frame Depth
Double Hung/Single Hung

K200 DOUBLE HUNG/SINGLE HUNG WITH NAILING FIN

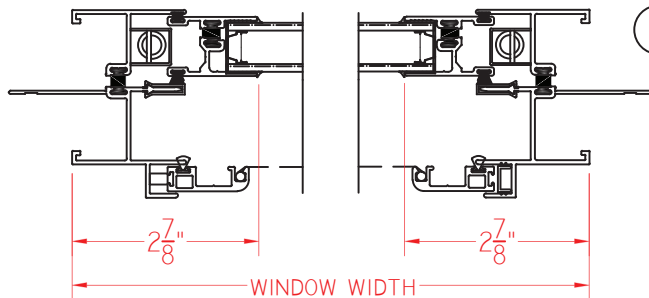
This document contains confidential and proprietary information intended for the private use of Quaker.
 © 2016 Quaker Window Products Co., INC. All rights reserved.
 Quaker reserves the right to change any/all designs without notice.
 Due to periodic re-certification requirements, result shown may vary.



A VERTICAL CROSS SECTION



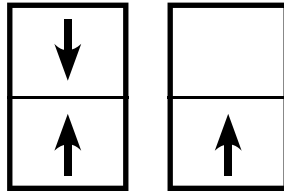
2 HORIZONTAL CROSS SECTION



SCALE 1:3

Our products are tested to the standards of and certified by some of the foremost organizations in the fenestration industry.

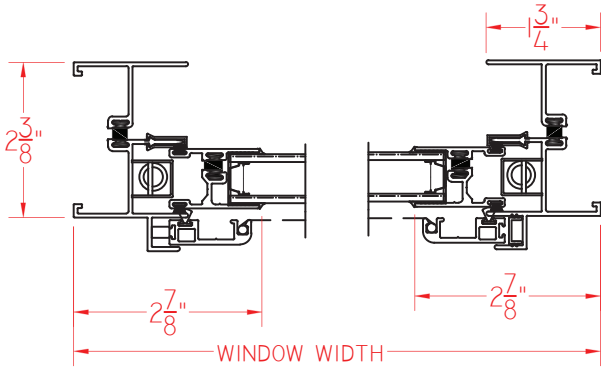




K200 Series
2 3/8" Frame Depth
Double Hung/Single Hung

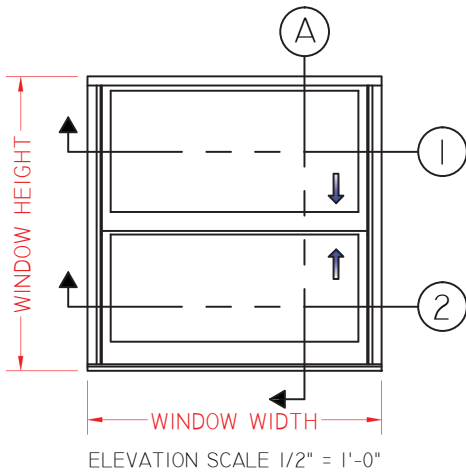
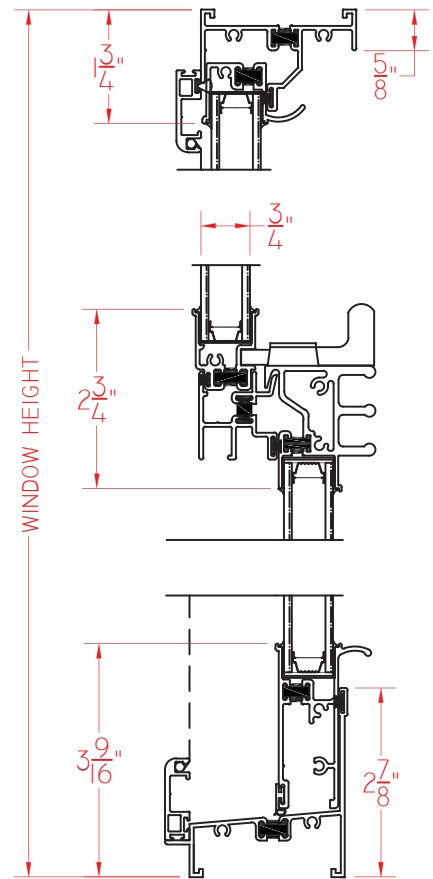
K200 DOUBLE HUNG/SINGLE HUNG WITHOUT NAILING FIN

This document contains confidential and proprietary information intended for the private use of Quaker.
 © 2016 Quaker Window Products Co., INC. All rights reserved.
 Quaker reserves the right to change any/all designs without notice.
 Due to periodic re-certification requirements, result shown may vary.

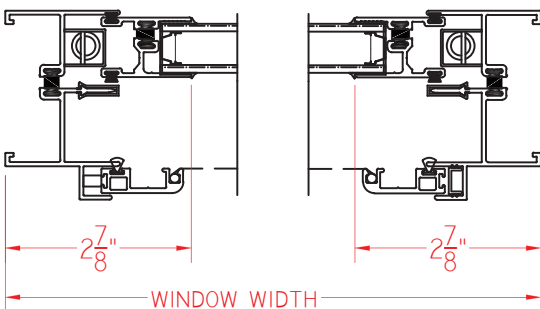


① HORIZONTAL CROSS SECTION

Ⓐ VERTICAL CROSS SECTION



② HORIZONTAL CROSS SECTION



SCALE 1:3

Our products are tested to the standards of and certified by some of the foremost organizations in the fenestration industry.

